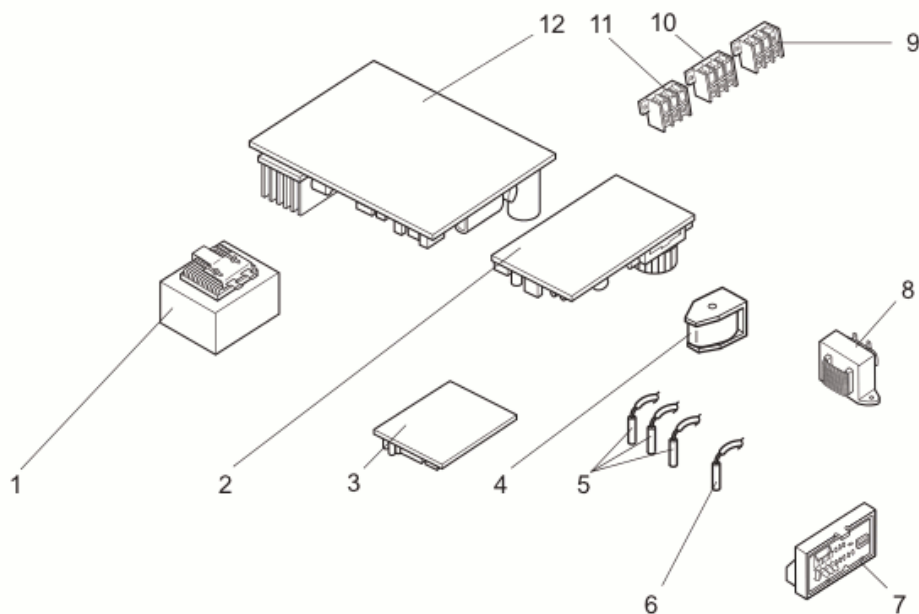


## MXZ-2C30VA-E1

MXZ-2C30VA MXZ-2C40VA MXZ-2C52VA

### 1-2. OUTDOOR UNIT ELECTRICAL PARTS



### Electrical Parts - Outdoor Unit

| N° | Référence | Code SAP | Désignation                              | Spécif. | Remarque                                  | Qté sur l'unité |
|----|-----------|----------|------------------------------------------|---------|-------------------------------------------|-----------------|
| 1  | E12G11337 | 238945   | REACTOR <G><417064>                      |         | 10A 23mH                                  | 1               |
| 2  | E12F23440 | 231247   | POWER P.C. BOARD <G><472286>             |         |                                           | 1               |
| 3  | E22F23454 | 472840   | E22F23454 INTERFACE P.C.BOARD            |         |                                           | 1               |
| 4  | E12A47490 | 194667   | RV COIL MXZ-2A40VA<G<474034>             |         |                                           | 1               |
| 5  | E22A47308 | 473632   | E22A47308 THERMISTOR SET                 |         | DEFROST, DISCHARGE OUTDOOR HEAT EXCHANGER | 1               |
| 6  | E22A47309 | 473654   | E22A47309 THERMISTOR AMBIENT TEMPERATURE |         |                                           | 1               |
| 7  | E22A47329 | 472808   | E22A47329 DISPLAY P.C. BOARD MXZ-2A4 <   |         |                                           | 1               |
| 8  | E12A47337 | 194665   | REACTOR <G>                              |         | 2A 25mH                                   | 1               |
| 9  | E12F24374 | 231249   | TERMINAL BLOCK <G>                       |         | Power supply                              | 1               |
| 10 | E22935374 | 473748   | E22935374 TERMINAL BLOCK                 |         | Indoor unit connecting                    | 1               |
| 12 | E12G04451 | 242162   | INVERTER P.C.BOARD <G>                   |         | Including heat sink and RT64              | 1               |